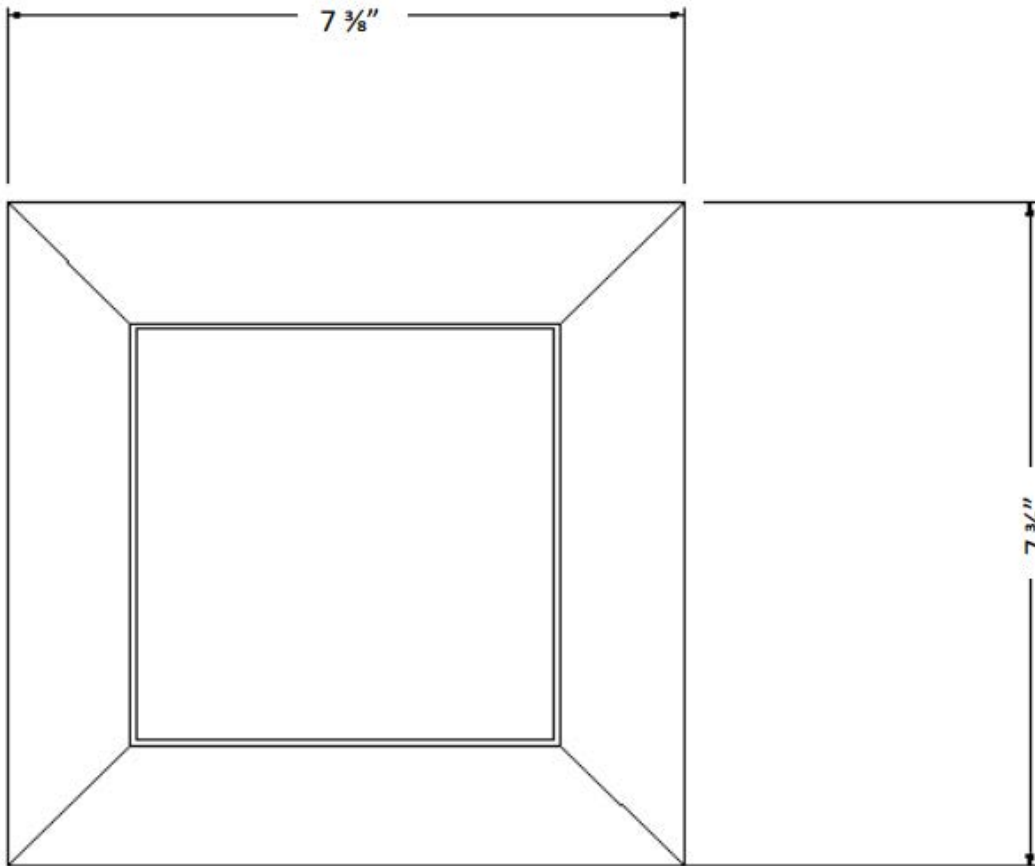


TOP VIEW



Material: Western Cedar

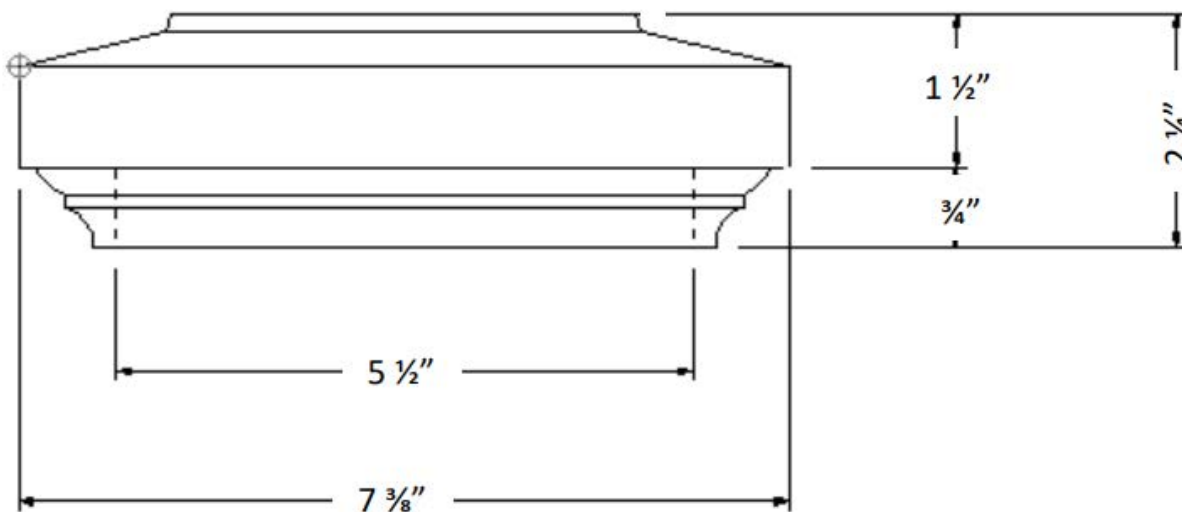
- Bottom 3/4" trim slips over the top of the newel post.

- Dotted line depicts the void area that the top of the newel post fits.

Notes: Newel post caps are 2" wider than the newel post.

- 5 3/8" Newel Post : 7 3/8" Cap
- 8" Newel Post : 10" Cap

SIDE VIEW



310 6TH STREET
TOWNSEND, MT 59644
PHONE: (888) 459-9965

GENERAL NOTES:

1. All products are drawn for presentation purpose only therefore image may vary slightly from actual image part.
2. American Porch, LLC reserves the right to change any product design at any time without notification.
3. American Porch, LLC makes no guarantee of suitability on any specific application. Choice of dimensions, quantities, and designs are the sole responsibility of the customer.

PRODUCT NAME: Newel Post Cap

PRODUCT #: CapWC.6

PRODUCT DESCRIPTION: 5 3/8" Cedar Newel Post Cap