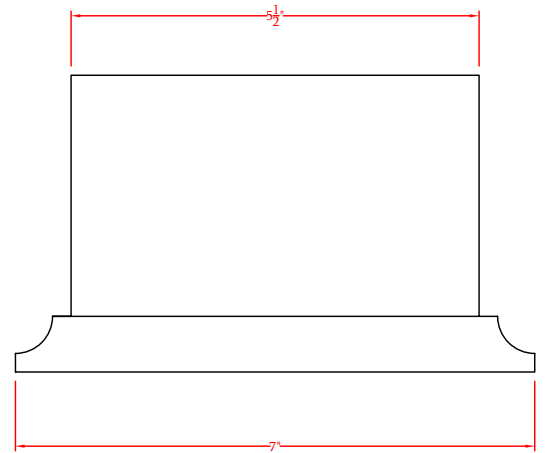


ELEVATION-END 02
SCALE: 6" = 1'-0"



ELEVATION-SIDE 01
SCALE: 6" = 1'-0"



WESTERN SPINDLE, LLC
310 6th St. • Townsend, MT 59644
Phone: (888) 459-9965 • Fax: (406) 434-6432
info@westernspindle.com
www.westernspindle.com

PART NAME	NEWEL RAIL SUPPORT BLOCK	REV. 1	
PART NUMBER	HSB 900	REV. 2	
CUSTOMER		REV. 3	
PROJECT		REV. 4	
ALL ITEMS ARE DRAWN FOR PRESENTATION PURPOSES ONLY. THEREFORE IMAGE SHOWN MAY VARY SLIGHTLY FROM FINISHED ACTUAL PART. DRAWING SHOWN IS TO INDICATE GENERAL ARRANGEMENT AND DESIGN. HAAS ARCHITECTURAL MILLWORK RESERVES THE RIGHT TO CHANGE ANY PRODUCT DESIGN WITHOUT NOTIFICATION.		REV. 5	
		REV. 6	

DRAWING NUMBER
A1