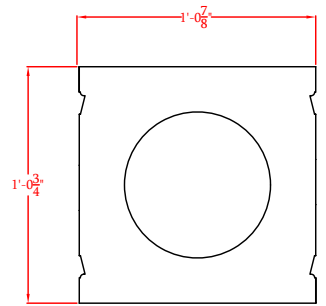


ELEVATION 02
SCALE: 1 1/2" = 1'-0"



SECTION 01
SCALE: 1 1/2" = 1'-0"



WESTERN SPINDLE, LLC

310 6th St. • Townsend, MT 59644
 Phone: (888) 459-9965 • Fax: (406) 434-6432
 info@westernspindle.com
 www.westernspindle.com

PART NAME	NEWEL POST IN-LINE PANEL	REV. 1	
PART NUMBER	HPNP 301-12	REV. 2	
CUSTOMER		REV. 3	
PROJECT		REV. 4	
ALL ITEMS ARE DRAWN FOR PRESENTATION PURPOSES ONLY. THEREFORE IMAGE SHOWN MAY VARY SLIGHTLY FROM FINISHED ACTUAL PART. DRAWING SHOWN IS TO INDICATE GENERAL ARRANGEMENT AND DESIGN. HAAS ARCHITECTURAL MILLWORK RESERVES THE RIGHT TO CHANGE ANY PRODUCT DESIGN WITHOUT NOTIFICATION.		REV. 5	
		REV. 6	

DRAWING NUMBER

A1